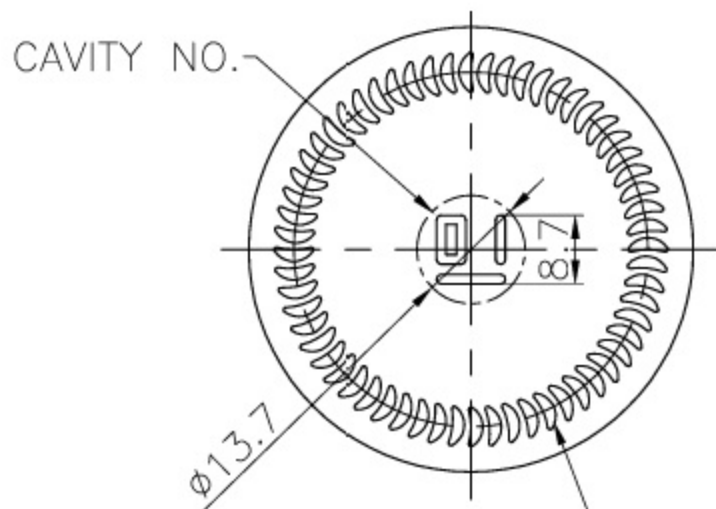
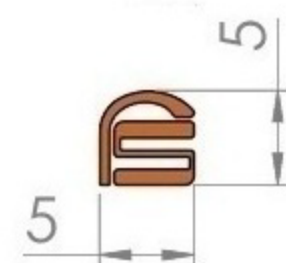


TRADE MARK



60 CRESCENT STIPPLES ON BEARING SURFACE
5 LONG X 1.5 WIDE X 0.5HT




TRADE MARK

DADLI 250 cc

Ana Glass Co



		DADLI 250 cc		Ana Glass Co			
Rev.	Date .	Drawn : A.Mansouri	Date : 1404/08/04	Dwg No : AG255B255-033			
		Checked : A.Taherkhani	Date :	Color :		Finish :	
		Appprove : M.khanlari	Gauges Code :	Weight (gr):	Filling level (ml) :	Brimful (ml) :	
		Code :	L =	185±5	250±5	255±5	