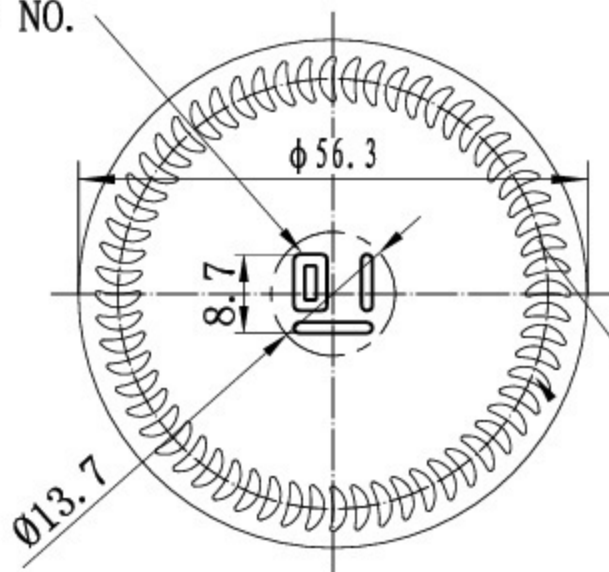
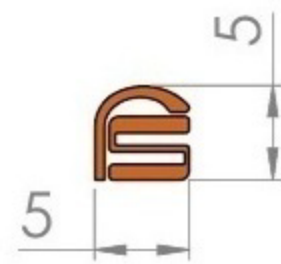


TRADE MARK
0.4 Ht

CAVITY NO.



60 CRESCENT STIPPLES ON BEARING SURFACE
5 LONG X 1.5 WIDE X 0.5 Ht



TRADE MARK

MEGA BIZ 300 cc

Ana Glass Co



Rev.	Date .	Drawn : A.Mansouri	Date : 1404/07/26	Dwg No : AG255B324-014		
		Checked : A.Taherkhani	Date :	Color :	Finish :	
		Appprove : M.khanlari	Gauges Code :	Weight (gr):	Filling level (ml) :	Brimful (ml) :
		Code :	L =	180±5	300±5	324±5