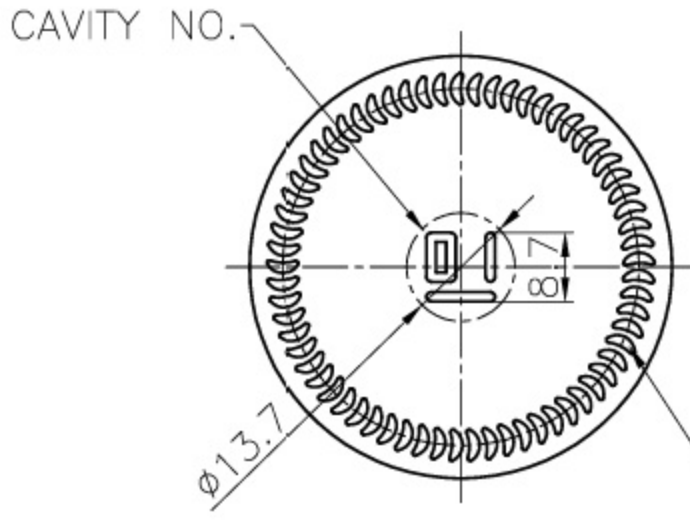
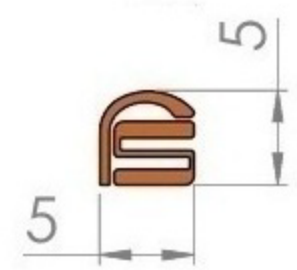



TRADE MARK  
0.4 Ht



65 CRESCENT STIPPLES ON BEARING SURFACE  
4 LONG X 1.3 WIDE X 0.4Ht



**TRADE MARK**

		<b>RANI 200 cc</b>		<b>Ana Glass Co</b>			
<b>Rev.</b>	<b>Date .</b>	<b>Drawn : A.Mansouri</b>	<b>Date : 1404/08/04</b>	<b>Dwg No : AG255B213-034</b>			
		<b>Checked : A.Taherkhani</b>	<b>Date :</b>	<b>Color :</b>	<b>Finish :</b>		
		<b>Appprove : M.khanlari</b>	<b>Gauges Code :</b>	<b>Weight (gr):</b>	<b>Filling level (ml) :</b>	<b>Brimful (ml) :</b>	
		<b>Code :</b>	<b>L =</b>	<b>145±5</b>	<b>200±5</b>	<b>213±5</b>	