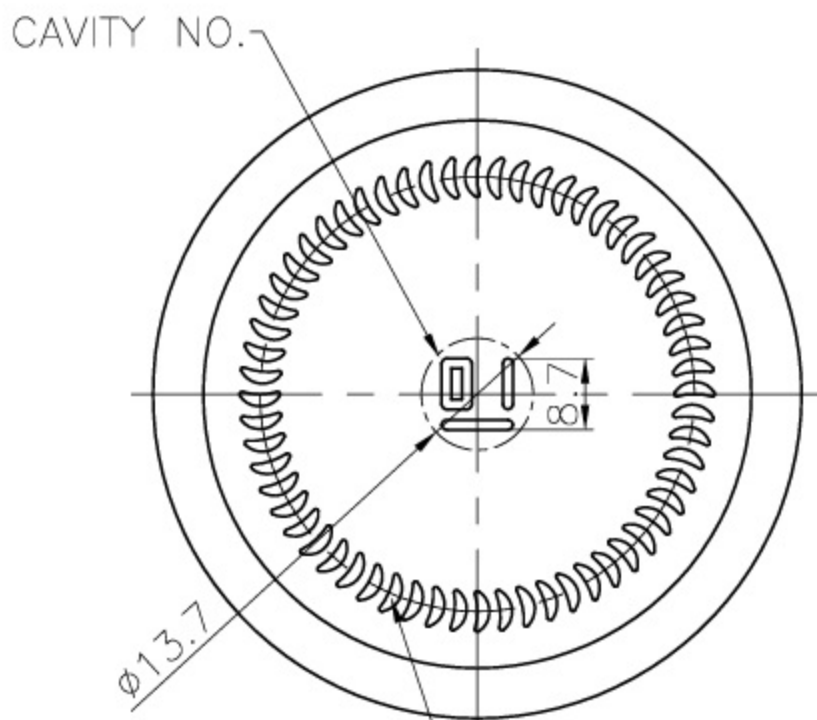
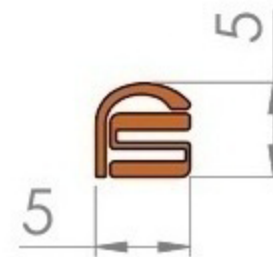


TRADE MARK  
0.4 Ht



60 CRESCENT STIPPLES ON  
BEARING SURFACE  
5 LONG X 1.5 WIDE X 0.5Ht




**TRADE MARK**

**JAR 500 cc**

**Ana Glass Co**



		<b>JAR 500 cc</b>		<b>Ana Glass Co</b>			
Rev.	Date .	Drawn : <b>A.Mansouri</b>	Date : <b>1404/08/01</b>	Dwg No : <b>AG255J490-007</b>			
		Checked : <b>A.Taherkhani</b>	Date :	Color :	Finish :		
		Appprove : <b>M.khanlari</b>	Gauges Code :	Weight (gr):	Filling level (ml) :	Brimful (ml) :	
		Code :	L =	<b>275±5</b>		<b>490±5</b>	